

EQUIPMENT

STANDARD EQUIPMENT

ENGINE

- Emissions, EPA Tier 4F / EU stage V
- Direct fuel injected
- Fuel filter with water separator
- Coolant recovery tank
- Dual element dry-type air filter
- High flow cooling fan
- Electronic engine control
- Preheat cold start assist
- Auto idle
- No scheduled DPF maintenance for 6000 hours
- Overheat & low oil pressure engine protection

UNDER CARRIAGE

- Carrier rollers, upper, 1 each side
- Track rollers, lower, 5 each side
- Track guides, front idler and 2 per side
- Centralized lubrication layout
- 16" (400mm) rubber tracks
- 16" (400mm) steel tracks
- Foldable blade
- Dozer blade with cylinder guards
- Tie downs on track frame and dozer blade
- Undercarriage frame opening guard
- Dozer blade float function

OTHERS

- Counterweight
- Security valves (1 on boom, 1 on arm)

WORKING EQUIPMENT

- Std. arm assembly with piping
- Long Arm assembly with piping
- Dozer Blade
- AUX1 with proportional joystick
- AUX2 with proportional joystick
- 28" (700mm) HD bucket
- Dozer Blade
- Hydraulic thumb
- Hydraulic breaker
- Oil-impregnated bushings
- Quick coupler plumbing to end of the arm
- Auger
- Hydraulic quick coupler
- Hydraulic tiltrotator 360° Rotation

HYDRAULIC SYSTEM

- Variable axial piston main pump
- Spring-applied hydraulic release swing brake
- Pilot gear pump
- Load-sensing system
- Adjustable auxiliary pressure relief
- Control pattern change valve
- Axial piston swing motor
- Axial piston travel motor (high / low)
- AUX1 with electrical proportional joystick
- AUX2 with electrical proportional joystick
- ISO/SAE two-pattern selection system

UPPER STRUCTURE

- Right-hand, left-hand mirrors, for Cab only
- Rear reflectors
- Lockable cab, hood, and service doors, for Cab only
- Remote-mounted engine oil and fuel filters
- Daily fluid level inspection visible from ground

OPERATOR STATION

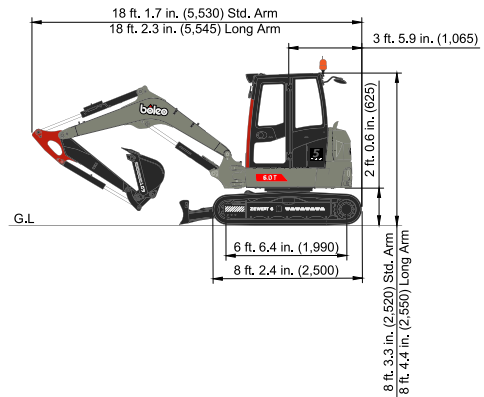
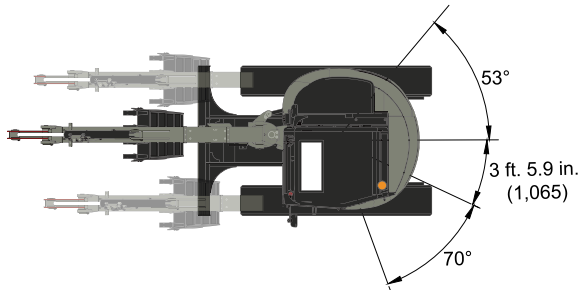
- Steel, all-weather & sound suppressed Cabin
- ROPS/TOPS
- Front window with wiper/washer, for Cab only
- Tinted safety glass, for Cab only
- Skylight Ceiling, for Cab only
- Pull-up type front window, for Cab only
- Lockable doors, for Cab only
- Weight adjustable suspension seat with head-rest
- Seat belt
- Rubber floor mat
- Hydraulic pilot control levers with adjustable armrests
- AM/FM radio with bluetooth and USB port
- Cell phone tray
- High performance heating, ventilation, and A/C
- Window breaker
- Horn, electric
- Large capacity toolbox
- Coat hook
- Ceiling light, for Cab only
- Tool kit

CONTROLS

- Two pilot joysticks control boom, arm, bucket, and swing functions
- Proportional auxiliary switches on joystick
- Blade control lever
- ISO / SAE two-pattern selection system
- Two-speed travel switch
- Engine speed control dial
- Travel pedals with hand levers
- Emergency stop switch
- Fully adjustable auxiliary flow circuits controls
- Switches, console-mounted
 - Starter switch (key)
 - Heater control panel
 - Boom swing switch
 - Rotating beacon
- Hydraulic quick coupler release rocket (if equipped)
- 12-V power socket & USB charger
- Wireless charger
- Keypad buttons
 - Travel/swing alarm
 - Ceiling light, for Cab only
 - 2 working lights on cab
 - 1 light on the boom and 1 rear working light
 - Wiper & washer, for Cab only
- Warnings
 - Coolant temperature buzzer
- Rearview camera
- Display Monitor
 - Menu select button
 - Fuel gauge
 - Language settings
 - Engine coolant temperature
 - Hour meter
 - Operating mode
- Back button
- Hour meter
- Operating mode

Key: ● Standard ○ Optional or Special See your BOLEO dealer for further information

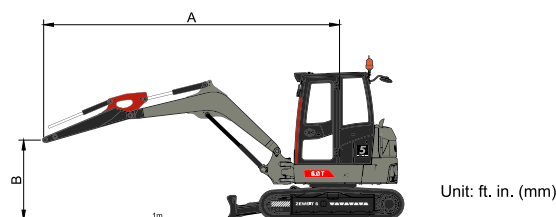
DIMENSIONS



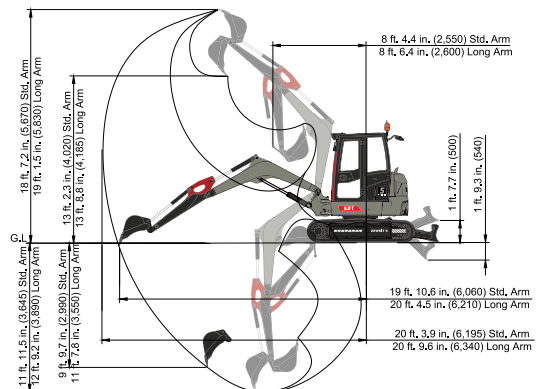
BOLEO Corporation reserves the right to change the stated specifications without notice. This brochure is for descriptive purposes only and reasonable efforts were used to set forth the contained information; some items shown may be optional and some products shown may not be available at all dealerships. BOLEO disclaims all representations and warranties, express or implied, or any liability from the use of this brochure. For complete warranty, safety and product information, consult your local BOLEO dealer and the operator's manual. Power (HP/KW) and other specifications are based on various standards or recommended practices. For your safety, BOLEO strongly recommends the use of a Rollover Protective Structure (ROPS) and seat belt in almost all applications. This brochure is intended for the United States and European Unions only. For information regarding BOLEO products or services outside these areas, see BOLEO Corporation's global web site. BOLEO does not provide parts, warranty or service for any Product which is re-sold or retailed in any country other than the country for which the Product(s) were designed or manufactured.

LIFTING CAPACITY

ZEWAIT-6 (260)	Standard Arm, Standard Counterweight, Bucket: Without								Unit: [lbs. (kg)]	
	6.6 ft. (2.0 m)		9.8 ft. (3.0 m)		13.1 ft. (4.0 m)		16.4 ft. (5.0 m)		Max. Reach	
Lifting Point Radius (A)	Over-front	Over-side	Over-front	Over-side	Over-front	Over-side	Over-front	Over-side	Over-front	Over-side
13.1 ft / 4.0 m	-	-	-	-	2818 (1278) *	1356 (615) *	-	-	2703 (1226) *	1204 (546) *
9.8 ft / 3.0 m	-	-	-	-	2880 (1306) *	1343 (609) *	-	-	2509 (1138) *	946 (429) *
6.6 ft / 2.0 m	-	-	4407 (1999) *	1960 (889) *	3340 (1515) *	128 (58) *	2890 (131) *	911 (413) *	2522 (1144) *	847 (384) *
3.3 ft / 1.0 m	-	-	5847 (2652) *	1775 (805) *	3880 (1760) *	1206 (547) *	3051 (1384) *	880 (399) *	2683 (1217) *	800 (363) *
G.L. (0)	-	-	6253 (2836) *	1682 (763) *	4138 (1877) *	1151 (522) *	3058 (1387) *	855 (388) *	2901 (1316) *	820 (372) *
-3.3 ft / (-1.0)	5959 (2703) *	3117 (1414) *	5727 (2598) *	1669 (757) *	3882 (176) *	1131 (513) *	-	-	2901 (1316) *	917 (416) *
-6.6 ft / (-2.0)	5548 (2870) *	3201 (1452) *	4248 (1927) *	1701 (772) *	-	-	-	-	2723 (1235) *	1204 (546) *
-9.8 ft / (-3.0)	-	-	-	-	-	-	-	-	-	-
-13.1 ft / (-4.0)	0 *	0 *	0 *	0 *	0 *	0 *	0 *	0 *	-	-



WORKING RANGE



The above capacities are given for a machine equipped with a cabin, 230mm / 9-in rubber tracks and without a bucket or quick-coupler.

1. Load with * is limited by hydraulic capacity and based on ISO 10567. Rated loads do not exceed 87% of hydraulic capacity; 2. Load without * is limited by tipping load and based on ISO 10567.

Rated loads do not exceed 75% of tipping capacity; 3. The excavator bucket, hook, sling and other lifting accessories are not included in this table.

Caution: In accordance with standard EN 474-5, the machine must be equipped to carry out handling operations.